

Brugarolas



Industrial Lubricants



SPECIAL LUBRICANTS FOR WIND MILLS

RSxf_007M
Version 06.13



OIL LUBRICANT

Product	Description	Application
BESLUX GEAR XP-320	Mineral oil to lubricate gears with special additivation to avoid micropitting effect.	Multiplier
BESLUX GEARSYNT XP-320	Synthetic PAO oil with additivation to avoid the micropitting effect.	
BESLUX SINCART 320 W ROJO	Synthetic PAG oil (red colour).	Multiplier
BESLUX DIVOL HV	Hydraulic oil with high viscosity index meeting the specifications DIN 51524 HVLP class. It is available in different viscosity grades.	Hydraulic break
ARPOLUBE 5606	Special hydraulic oil with high viscosity index to avoid effects caused by temperature .	Hydraulic system
BESLUX HIDRO PLUS-15 XLDS		
FLUID DRIVE HM		

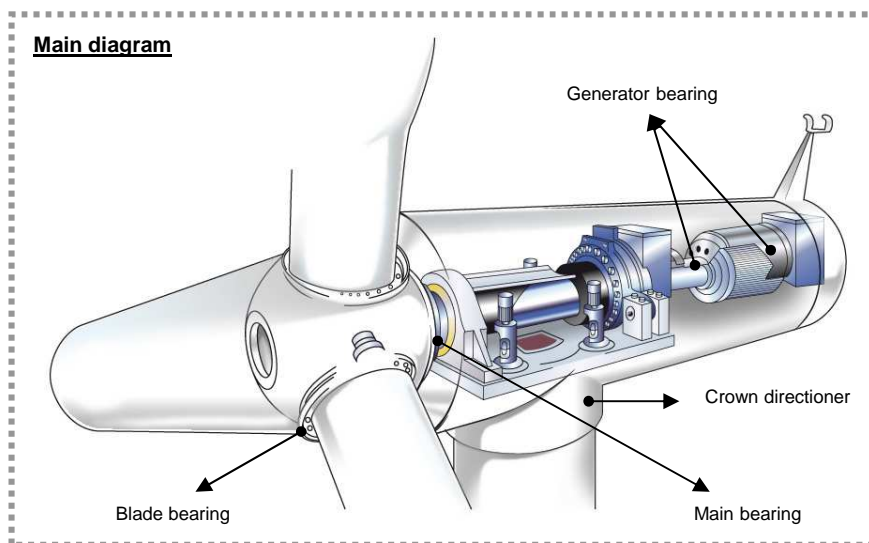
GREASE LUBRICANT

Product	Description	Application
G.A. AUREA-1	Lithium grease with mineral base oil with high lubricant power. It contains EP, anti-wear, anticorrosive and anti-oxidant additives.	Main bearing
G. BESLUX LIPLEX H-1/2 S	Lubricant grease with synthetic base oil with EP and anti-wear additives with high resistance to corrosion. It has good behaviour at low temperatures.	Generator bearing
G. BESLUX LIPLEX M-1/2 S		
G. BESLUX PLEX L-2 EP		
G. BESLUX KOMPLEX DPH LT-2	Lubricant grease with high mechanical resistance: especially intended to work at low temperatures with low torque; Anti-False Brinelling properties.	Blade bearing
BESLUX ENGRANAJES SPRAY	Spray grease for high loads with solid lubricants.	Crown
BESLUX GRASA SPRAY AD	Spray grease extremely sticky with solid lubricant additivation for high loads (light colour).	
G. BESLUX CROWN EH-2 WHITE	Grease lubricant with semi-synthetic base oil, aluminium complex soap with solid lubricants that provides good adhesion and good stability at high loads.	
G. BESLUX KOMPLEX H-300	High adherent grease that has been additivated with EP additives without solid lubricants. The appearance of this grease is light colour.	Crown and Zip-Ladder
G. BESLUX PLEX M-2/BM	Special grease for coupling between gearbox and generator, CV joint lubrication.	Coupling systems



LUBRICATION POINTS

Lubrication point	Product
Multiplier Turning gear	BESLUX GEAR XP-320
	BESLUX GEARSYNT XP-320
	BESLUX SINCART 320 W ROJO
Hydraulic break	BESLUX DIVOL HV
Hydraulic system	ARPOLUBE 5606
	BESLUX HIDRO PLUS-15 XLDS
	FLUID DRIVE HM
Main bearing	G.A. AUREA-1
Generator bearing	G. BESLUX LIPLEX H-1/2 S
	G. BESLUX LIPLEX M-1/2 S
	G. BESLUX PLEX L-2 EP
Blade bearing	G. BESLUX KOMPLEX DPH LT-2
Crown	G. BESLUX CROWN EH-2 WHITE
	G. BESLUX KOMPLEX H-300
	BESLUX ENGRANAJES ABIERTOS
	BESLUX GRASA SPRAY AD
Zip-Ladder	G. BESLUX KOMPLEX H-300
Coupling generator	G. BESLUX PLEX M-2/BM



Brugarolas



Industrial lubricants

SPECIAL LUBRICANTS FOR WIND MILLS



Renewable energy, especially wind power, requires lubricant products especially developed for this activity, and the ones we are presenting here meet the most strict quality specifications.

Brugarolas, S.A. develop, research and manufacture lubricant products with the most advanced requirements to guarantee the best efficient and safety levels. For that, Brugarolas, S.A. provides to its customers a laboratory specially dedicated to **R+D+i** and the best professional team highly qualified who studies and design the ideal formula to satisfy the thoroughness for each of them in severe work conditions.

In this guide of products and applications you can find details of only some of the products that Brugarolas, S.A. has registered and developed for this sector.

Brugarolas, S.A. research, develop and manufacture different lubricant products for every type of industry all over the globe. These products are manufactured under the most strict requirements shown in the quality systems that the company has: **IQNET ISO 9001, ISO 9001 e ISO-TS16949.**



RSxf_007M
Version 06.13

Brugarolas



Industrial Lubricants

BRUGAROLAS, S.A.
Camino de la Riera 36-44
Polígono Industrial Cova Solera
08191 Rubí (Barcelona)
Tlf: 93 588 31 00
Fax: 93 588 31 01
E-mail: amolina@brugarolas.com
E-mail: ipiferrer@brugarolas.com
Web: www.brugarolas.com

